

New insert pocket for fine finish boring

using improved geometries as: TP.. 0902.. & TP.. 1103..



- *11° relief angle* will enlarge customer choices that already had 7° relief angle in PINZBOHR programme.
- We introduce these new models either in *75° & 90° angle approach* from 22 size head up to 500 size heads.
- PINZBOHR features one of the widest ranges of insert pocket geometries to meet customers needs.

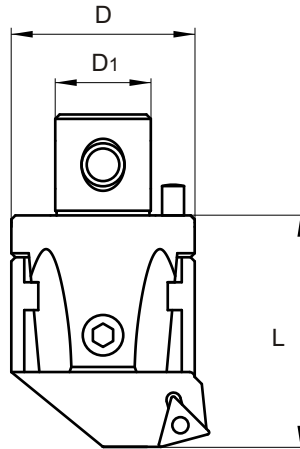
INTEGRAL POCKET TYPE HEADS

NEW FINISH BORING HEADS

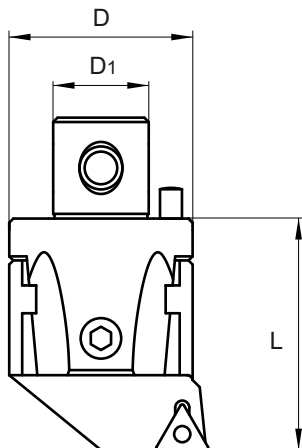
ADJUSTING ACCURACY 0.002 mm \varnothing



FINISH HEADS
75° APPROACH



Bore Range		Dimension			Product Number	Insert	Clamp Screw	Kg.	Key		
Min	Max	$\varnothing D$	$\varnothing D1$	L					Adj.	Clamp	Locking
24	30	22	12	34	A 02275 310	TP□□ 0902□□	TT 400	0.100	HK 020	TK 08	HK 030
29	40	27	15	42	A 02775 310	TP□□ 0902□□	TT 400	0.160	HK 020	TK 08	HK 040
39	50	32	20	45	A 03275 310	TP□□ 0902□□	TT 400	0.250	HK 025	TK 08	HK 040
49	65	42	24	56	A 04275 311	TP□□ 1103□□	TT 401	0.510	HK 030	TK 10	HK 050
63	82	54	28	66	A 05475 311	TP□□ 1103□□	TT 401	1.020	HK 030	TK 10	HK 060



FINISH HEADS
90° APPROACH

Bore Range		Dimension			Product Number	Insert	Clamp Screw	Kg.	Key		
Min	Max	$\varnothing D$	$\varnothing D1$	L					Adj.	Clamp	Locking
24	30	22	12	34	A 02290 310	TP□□ 0902□□	TT 400	0.100	HK 020	TK 08	HK 030
29	40	27	15	42	A 02790 310	TP□□ 0902□□	TT 400	0.160	HK 020	TK 08	HK 040
39	50	32	20	45	A 03290 310	TP□□ 0902□□	TT 400	0.250	HK 025	TK 08	HK 040
49	65	42	24	56	A 04290 311	TP□□ 1103□□	TT 401	0.510	HK 030	TK 10	HK 050
63	82	54	28	66	A 05490 311	TP□□ 1103□□	TT 401	1.020	HK 030	TK 10	HK 060

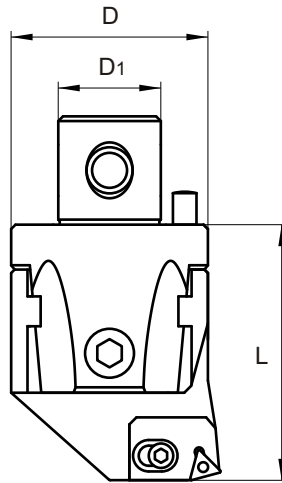
CARTRIDGE TYPE HEADS

NEW FINISH BORING HEADS

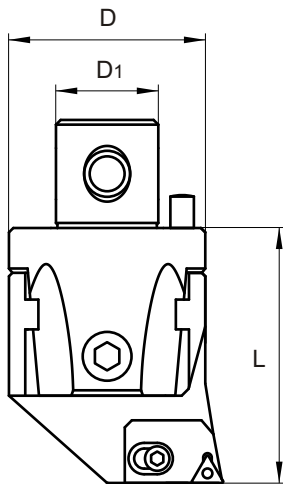
ADJUSTING ACCURACY 0.002 mm Ø



FINISH HEADS
75° APPROACH



Bore Range		Dimension			Product Number	Cartridge *	Clamp Screw	Kg.	Adj. Key / Clamp Key / Locking Key		
Min	Max	øD	øD1	L					HK	TK	HK
80	102	68	36	86	A 06875 311	2CT 75 311	TT 401	2.050	HK 050	TK 10	HK 080
100	125	85	50	100	A 08575 311	3CT 75 311	TT 401	3.930	HK 060	TK 10	HK 080
125	160	110	60	100	A 10075 311	3CT 75 311	TT 401	6.250	HK 060	TK 10	HK 080
160	220	145	60	100	A 20075 311	3CT 75 311	TT 401	8.330	HK 060	TK 10	HK 080



FINISH HEADS
90° APPROACH

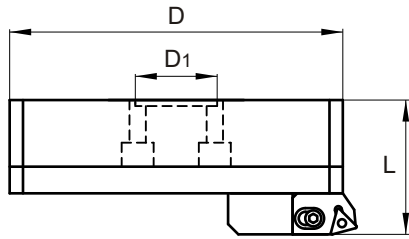
Bore Range		Dimension			Product Number	Cartridge *	Clamp Screw	Kg.	Adj. Key / Clamp Key / Locking Key		
Min	Max	øD	øD1	L					HK	TK	HK
80	102	68	36	86	A 06890 311	2CT 90 311	TT 401	2.050	HK 050	TK 10	HK 080
100	125	85	50	100	A 08590 311	3CT 90 311	TT 401	3.930	HK 060	TK 10	HK 080
125	160	110	60	100	A 10090 311	3CT 90 311	TT 401	6.250	HK 060	TK 10	HK 080
160	220	145	60	100	A 20090 311	3CT 90 311	TT 401	8.330	HK 060	TK 10	HK 080

* FULL CARTRIDGE INFORMATION (INCLUDING INSERT SIZE) IN BACKCOVER

LARGE DIAMETER CARTRIDGE TYPE HEADS

NEW FINISH BORING HEADS

ADJUSTING ACCURACY 0.002 mm \varnothing



FINISH HEADS 75° APPROACH

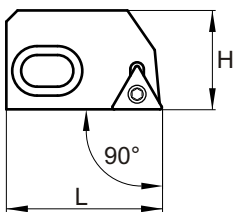
Bore Range		Dimension			Product Number	Cartridge	Clamp Screw	Kg.	Adj. Key / Clamp Key / Locking Key		
Min	Max	$\varnothing D$	$\varnothing D_1$	L					HK 050	TK 10	HK 040
220	320	202	60	90	A 30075 311	3CT 75 311	TT 401	8.750	HK 050	TK 10	HK 040
290	400	272	60	90	A 40075 311	3CT 75 311	TT 401	12.200	HK 050	TK 10	HK 040
370	500	352	60	90	A 50075 311	3CT 75 311	TT 401	16.310	HK 050	TK 10	HK 040

FINISH HEADS 90° APPROACH

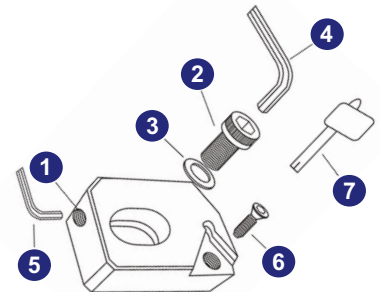
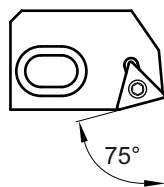
Bore Range		Dimension			Product Number	Cartridge	Clamp Screw	Kg.	Adj. Key / Clamp Key / Locking Key		
Min	Max	$\varnothing D$	$\varnothing D_1$	L					HK 050	TK 10	HK 040
220	320	202	60	90	A 30090 311	3CT 90 311	TT 401	8.750	HK 050	TK 10	HK 040
290	400	272	60	90	A 40090 311	3CT 90 311	TT 401	12.200	HK 050	TK 10	HK 040
370	500	352	60	90	A 50090 311	3CT 90 311	TT 401	16.310	HK 050	TK 10	HK 040

INDEXABLE STANDARD CARTRIDGES

TYPE 90 311



TYPE 75 311



Product Number	Dimension		Kg.	Insert	1	2	3	4	5	6	7
	H	L			D	A	D	HK	HK	TT	TK
2CT 75 311	22.5	35	0.050	TP□□ 1103□□	D 068 29	A 068 26	D 068 28	HK 050	HK 020	TT 401	TK 10
2CT 90 311	22.5	35	0.050	TP□□ 1103□□	D 068 29	A 068 26	D 068 28	HK 050	HK 020	TT 401	TK 10
3CT 75 311	28	39	0.100	TP□□ 1103□□	D 085 29	D 085 27	D 068 28	HK 050	HK 030	TT 401	TK 10
3CT 90 311	28	39	0.100	TP□□ 1103□□	D 085 29	D 085 27	D 068 28	HK 050	HK 030	TT 401	TK 10